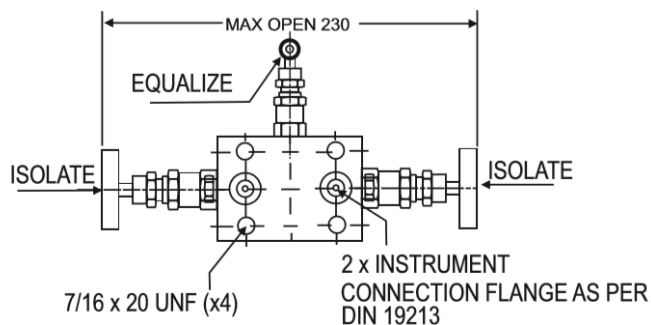
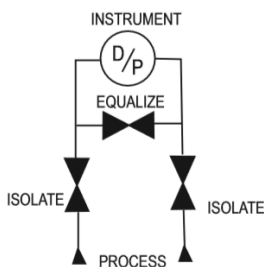
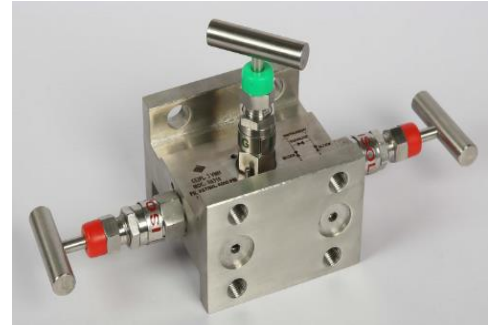




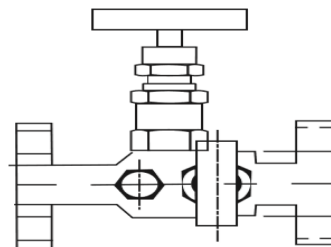
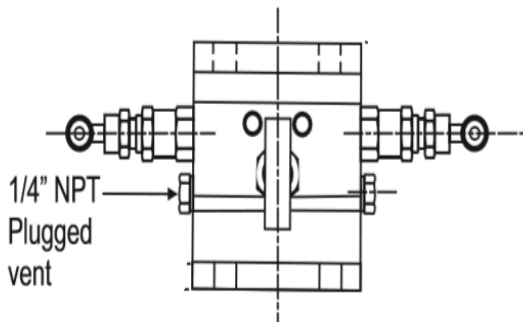
# 3VM – Flange to Flange

Model : CEI-3-MV-H

CEIPL 3-Valve Manifold, One equalizer Valve & two Isolation Valve Threaded on both Instrument, Process side 1/2" NPT (F). Two mounting Holes are provided for 1/4" bolts used DP Gauge, Pressure Transmitters & Pressure Switches.

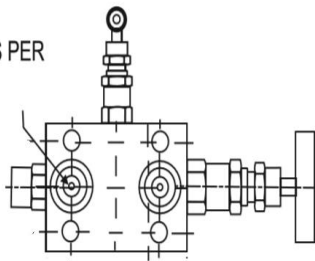


Top View



Side View

2 x PROCESS CONNECTION AS PER DIN 19213



Bottom View

### Technical Specification

- Max. Pressure : 400bar / 6000psi
- Max. Temperature : 240°C
- Material : SS304/SS316, A105  
SS304L/SS316L,  
Monel, Hastelloy, Inconel,
- Gland Packing : PTFE, Graphite
- Std. Process Connection : 1/2" NPT (F)
- Std. Drain Connection : As per customer requirement